

Ceiling type unit air cooler DLKT 412 EC flatline

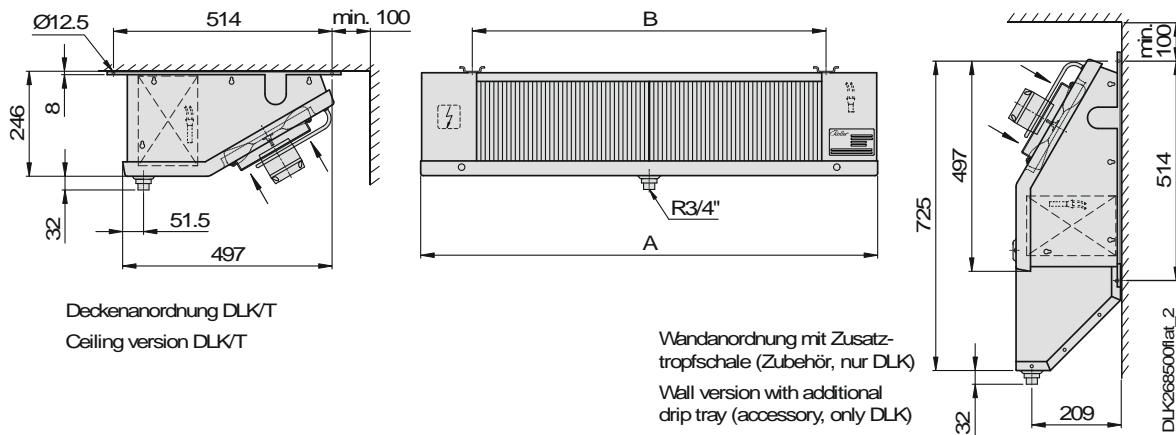
Location:

Walter Roller GmbH & Co.
Lindenstraße 27-31
D - 70839 Gerlingen
Tel.: +49 (0)7156 2001 0
Fax: +49 (0)7156 2001 26



successful products

Version 7.3.2 14.11.2012



Deckenanordnung DLK/T
Ceiling version DLK/T

Wandanordnung mit Zusatz-
tropfschale (Zubehör, nur DLK)
Wall version with additional
drip tray (accessory, only DLK)

Dimensions, Tube vol., Weight

Dimensions								Tube vol. [dm ³]	Weight [kg]	Connections	
A [mm]	B [mm]	C [mm]	D [mm]	E [mm]	F [mm]	G [mm]	H [mm]			Inlet Ø [mm]	Outlet Ø [mm]
1062	822							2.40	22	12.0 #	18.0

#: Multiple injection

Electrical loads Fan with Energy saving motor

No.	Blade Ø [mm]	Power supply [V, Hz]	Input capacity [W]	Current [A]	No. of revolutions [min ⁻¹]	Electric defrost heating			El. airconditioning	
						Coil [W]	Drain pan [W]	Total [W]	[W]	Total [W]
2	250-34 D	~230 V 50/60 Hz	31	0,24	1400	1x700	1x700	1400		

Capacity data

	Refrige- rant	Input capacity Q ₀ [kW]	Evapora- tion t ₀ [°C]	Air inlet t _{A1} [°C]	DT1 [K]	Surface [m ²]	Air capacity [m ³ /h]	Air throw [m]	Sound power [dB(A)]	Fin Spacing [mm]
Given	R404A	2.50	-8.0		8.0					4
Result	R404A	2.30	-8.0	0.0	8.0	11.3	1480	7	70	4.0

Prices and accessories

DLKT 412 EC	EUR740.00

Price per unit:

EUR740.00 incl. material surcharges, without VAT